

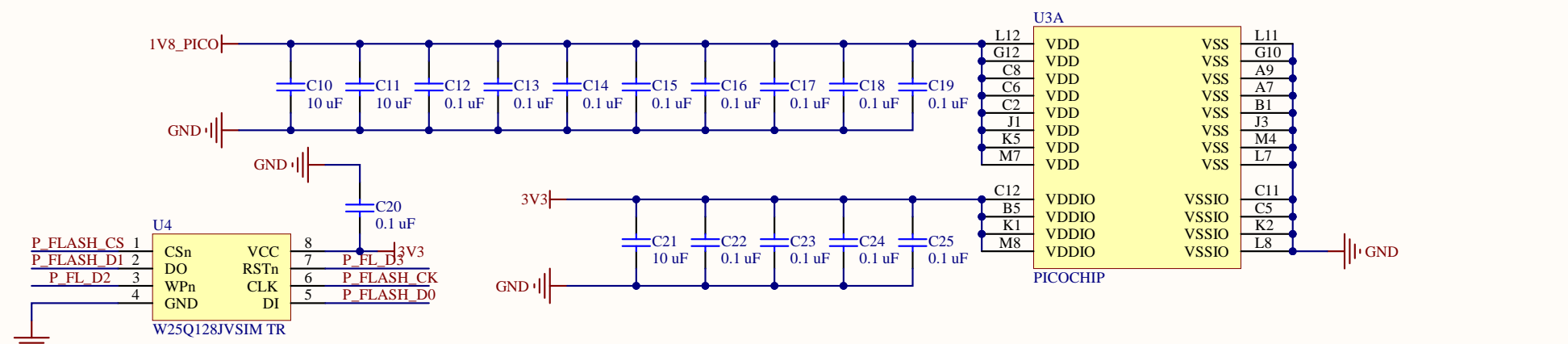
Title <b>[2]power.SchDoc</b>		
Size: A	Number:*	Revision:1.0
Date: 3/8/2021	Time: 1:22:53 PM	Sheet 2 of 7
File: C:\Users\pschaumont\Desktop\pico_pcb\2]power.SchDoc		

WPI Vernam Lab  
\*  
\*  
\*



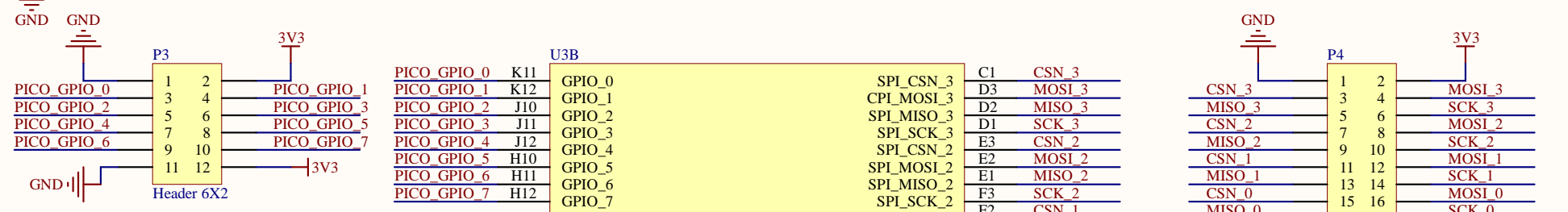
A

A



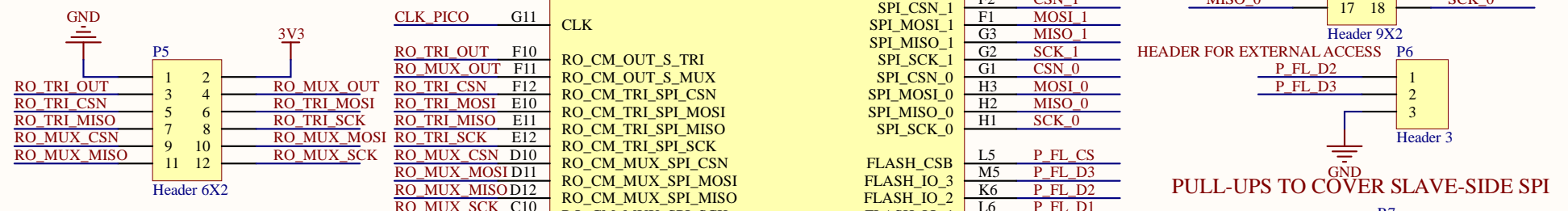
B

B



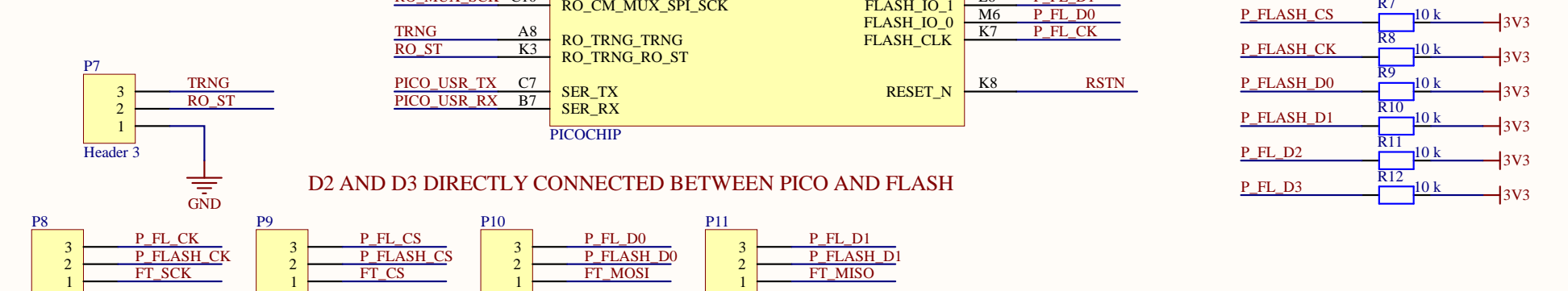
C

C




D

D



Title <b>[3]pico.SchDoc</b>		WPI Vernam Lab	
Size: A	Number:*	Revision:1.0	*
Date: 3/8/2021	Time: 1:22:53 PM	Sheet 3 of 7	*
File: C:\Users\pschaumont\Desktop\pico_pcb\3]pico.SchDoc			



A

A

B

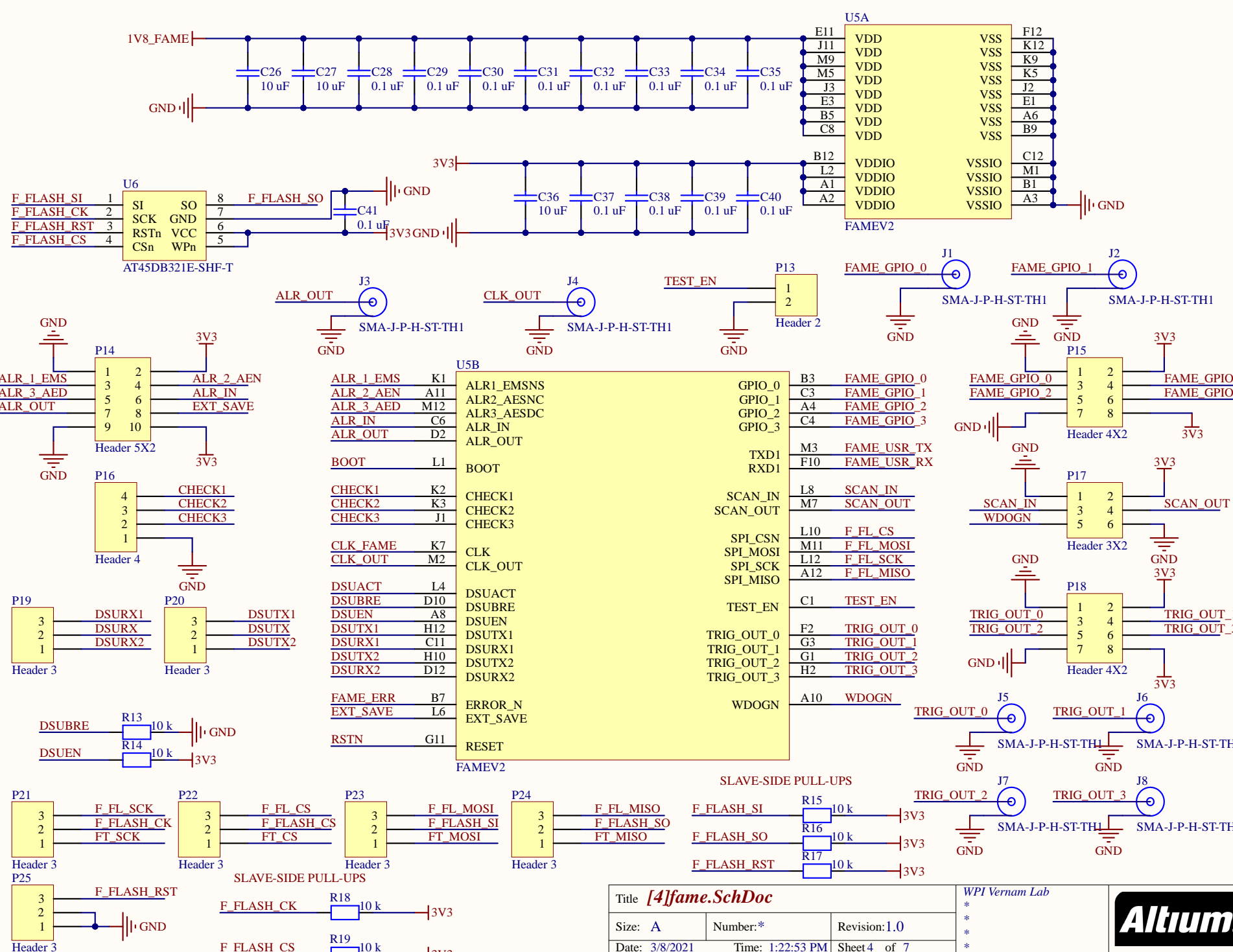
B

C

C

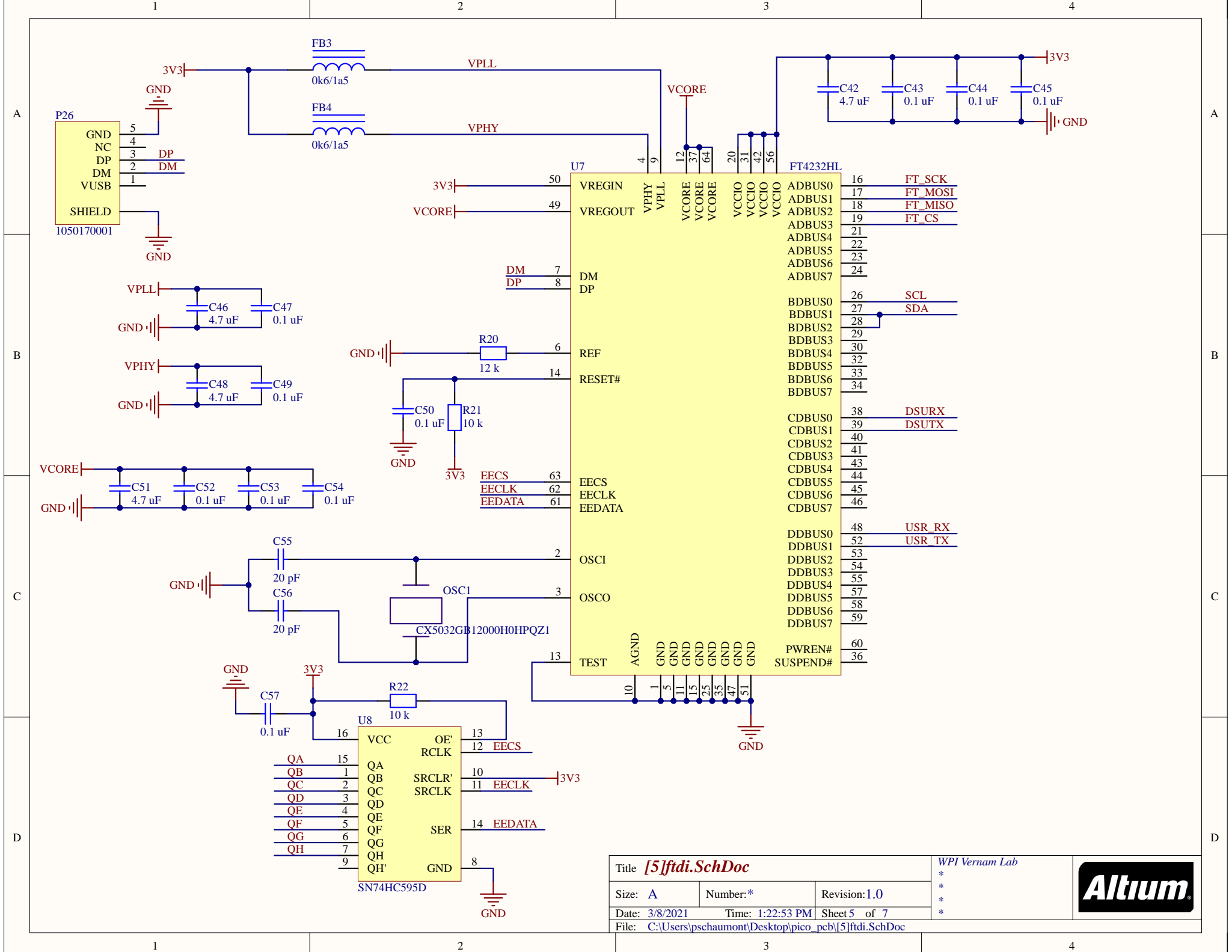
D

D

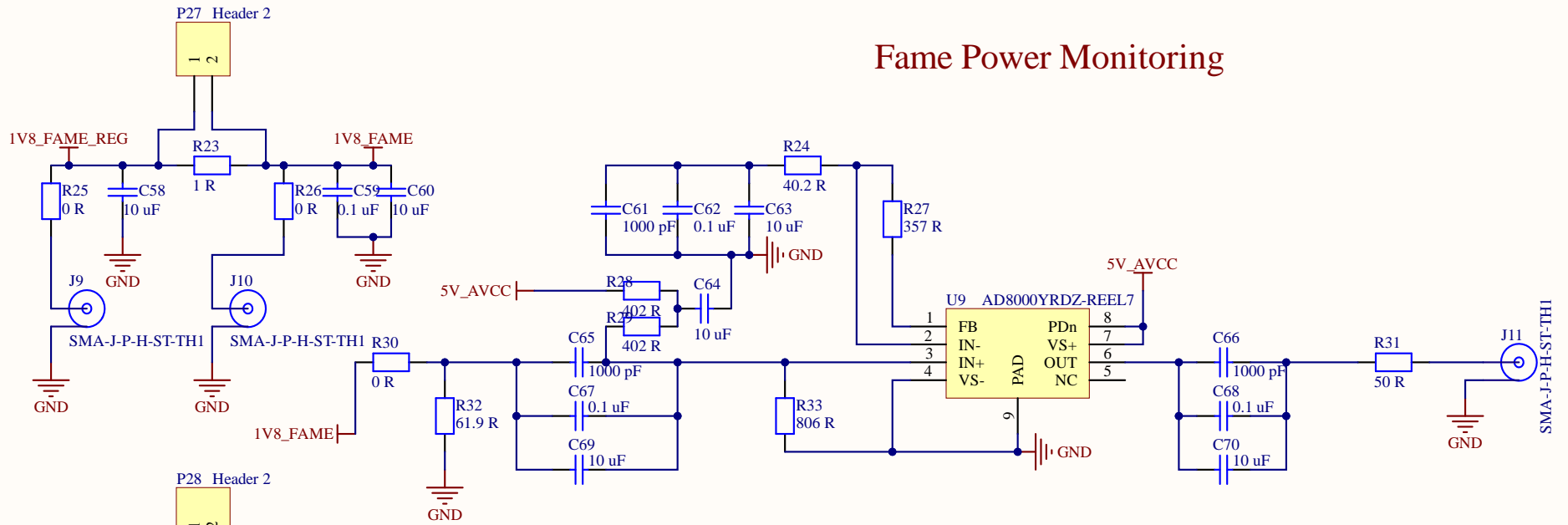


Title <b>[4]fame.SchDoc</b>		WPI Vernam Lab	
Size: A	Number: *	Revision: 1.0	*
Date: 3/8/2021	Time: 1:22:53 PM	Sheet 4 of 7	*
File: C:\Users\pschaumont\Desktop\pico_pcb\4]fame.SchDoc			

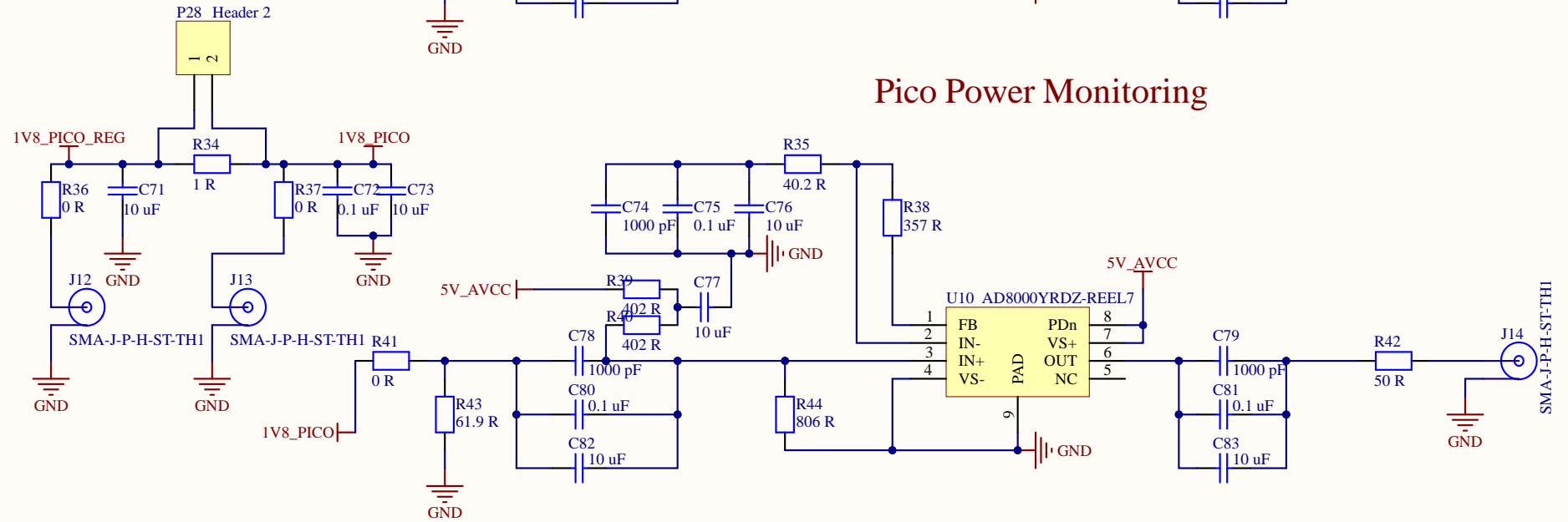




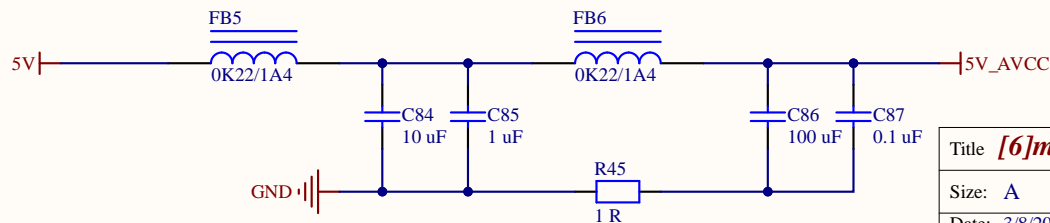
## Fame Power Monitoring



## Pico Power Monitoring

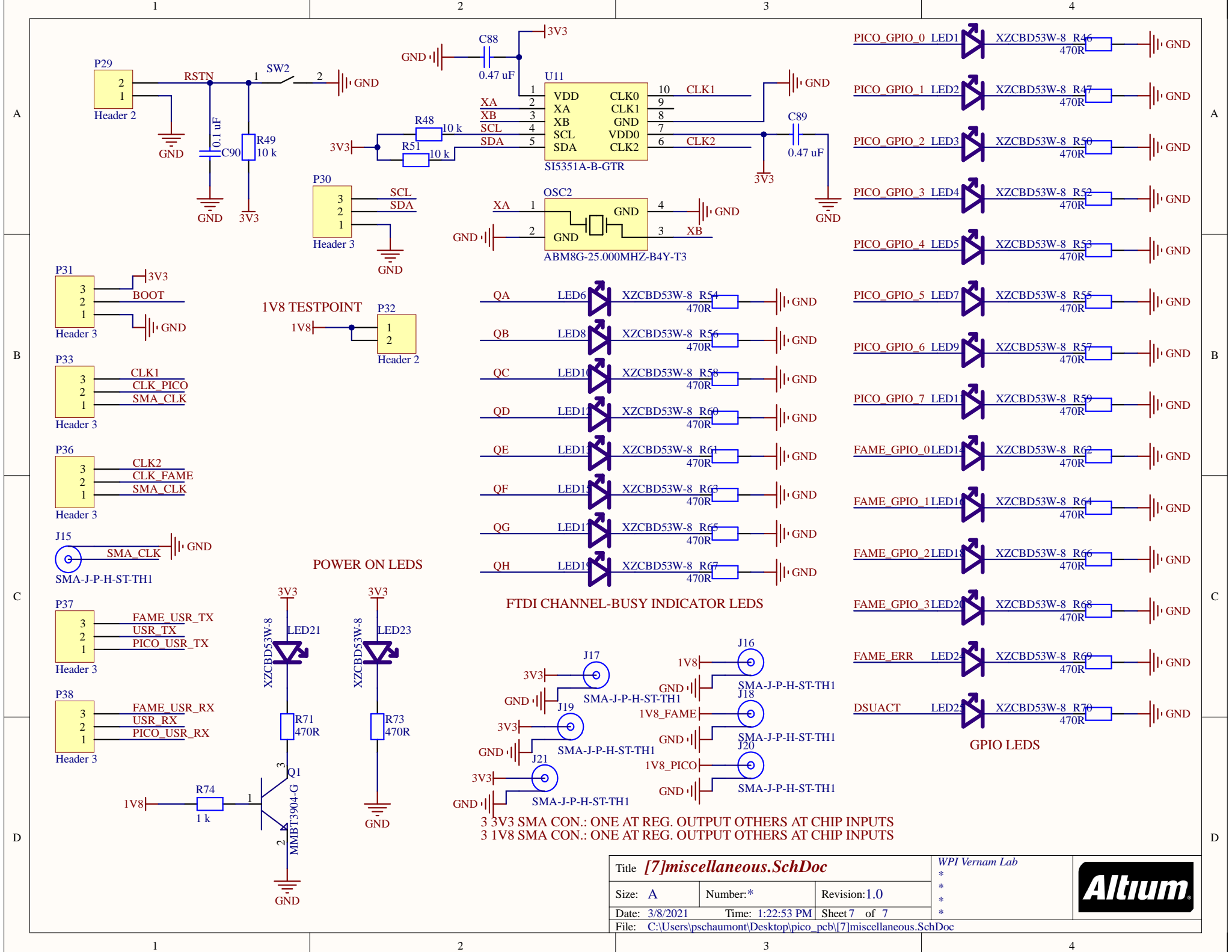


## Analog Supply Generation



Title <b>[6]measurement.SchDoc</b>			WPI Vernam Lab
Size: A	Number:*	Revision:1.0	*
Date: 3/8/2021	Time: 1:22:53 PM	Sheet 6 of 7	*
File: C:\Users\pschaumont\Desktop\pico_pcb\6]measurement.SchDoc			





1V8 TESTPOINT

POWER ON LEDS

FTDI CHANNEL-BUSY INDICATOR LEDS

GPIO LEDS

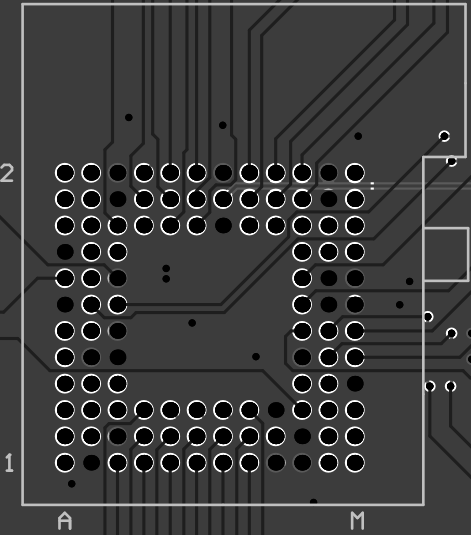
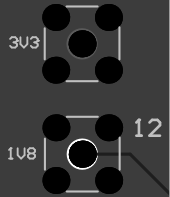
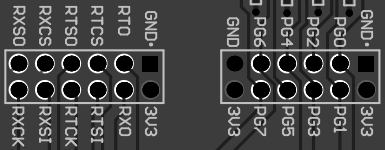
3 3V3 SMA CON.: ONE AT REG. OUTPUT OTHERS AT CHIP INPUTS  
 3 1V8 SMA CON.: ONE AT REG. OUTPUT OTHERS AT CHIP INPUTS

Title <b>[7]miscellaneous.SchDoc</b>		WPI Vernam Lab	
Size: <b>A</b>	Number: *	Revision: 1.0	*
Date: 3/8/2021	Time: 1:22:53 PM	Sheet 7 of 7	*
File: C:\Users\pschaumont\Desktop\pico_pcb\7]miscellaneous.SchDoc			

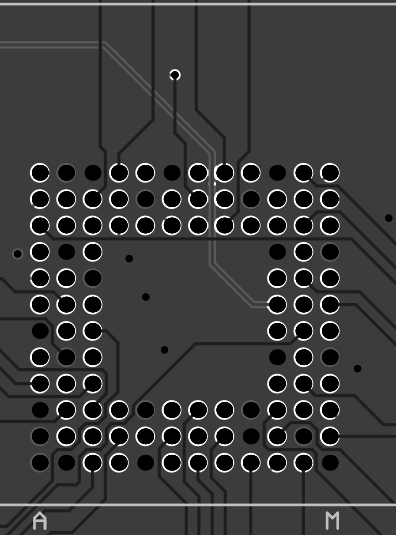
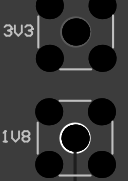
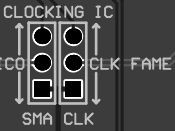
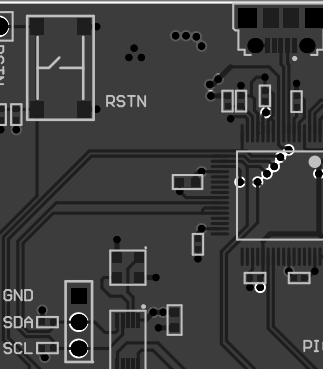
WPI

PICO PCB V1.0

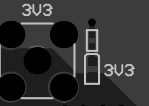
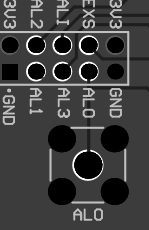
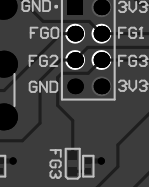
VERNAM LAB



PICO



FAME



ADJ 1V TO 2V

ADJ FIX

1U8 J12

J13

J9

J10

AMP OUT PICO

AMP OUT FAME

↑ SUPPLY 5VDC ONLY